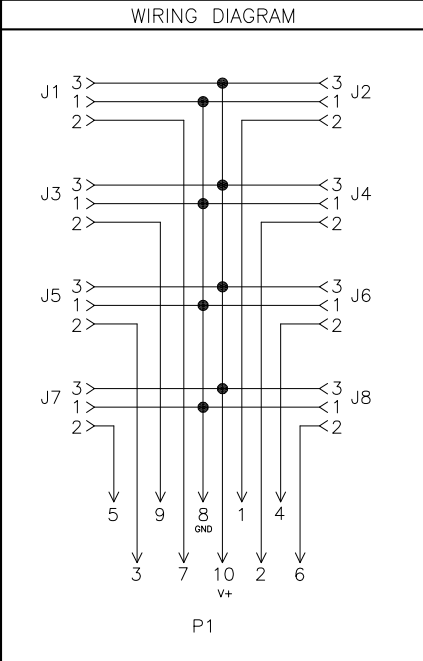
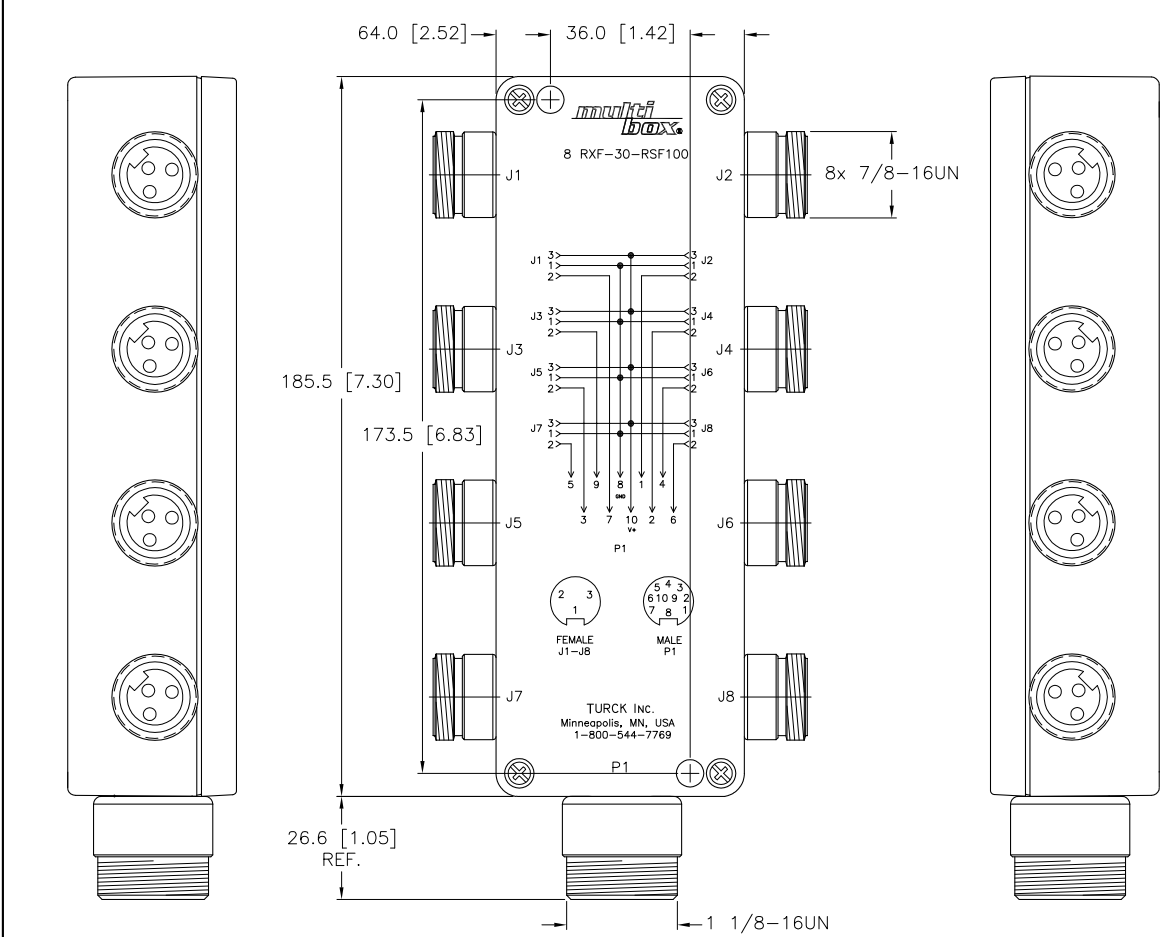
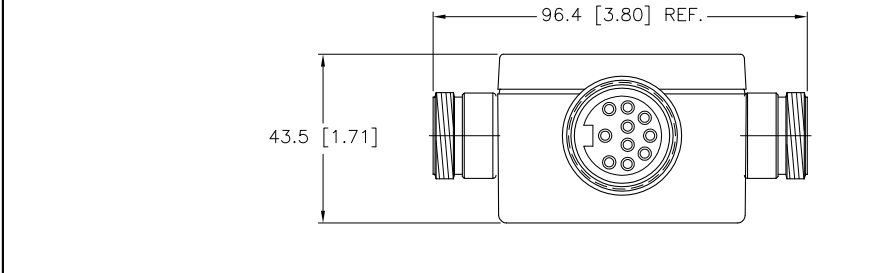


SPECIFICATIONS	
HOUSING MATERIAL	DIE-CAST ALUMINUM ALLOY
HOUSING FINISH/COLOR	POWDER COAT/BLACK
RECEPTACLE HOUSINGS	BRASS/NICKEL
CONTACT CARRIERS/COLOR	TPU/BLACK (J1-J8), TPU/YELLOW (P1)
CONTACTS MATERIAL/PLATING	BRASS/GOLD
OPERATING VOLTAGE	250 VAC/300 VDC
OPERATING CURRENT	4.0 AMPS PER PORT, 9.0 AMPS TOTAL
PROTECTION CLASS to DIN 40050	NEMA 1,3,4, 6P AND IEC IP 67 - ONLY WHEN ALL RECEPTACLES ARE COVERED WITH PLUGS OR CONNECTED
OPERATING TEMPERATURE	-40°C to 105°C (-40°F to 221°F)



SOURCE DRAWING - FOR REFERENCE ONLY



RELATED DOCUMENTS	3RD ANGLE PROJECTION
1. 2. 3. 4.	
MATERIAL	ALL DIMENSIONS DISPLAYED ON THIS DRAWING ARE FOR REFERENCE ONLY
SEE SPECIFICATIONS	CONTACT TURCK FOR MORE INFORMATION
FINISH	
SEE SPECIFICATIONS	

THIS DRAWING IS PROPERTY OF TURCK INC. USE OF THIS DOCUMENT WITHOUT WRITTEN PERMISSION IS PROHIBITED.	
DRFT	RWC
DATE	05/14/07
DSGN	SCALE 1=2.0
UNIT OF MEASUREMENT	
<b>MILLIMETER [ INCH ]</b>	
DO NOT SCALE THIS DRAWING	

<p>High Technology Sensors and Automation Controls</p>		3000 CAMPUS DRIVE MINNEAPOLIS, MN 55441 1-800-544-7769 (763) 553-7300 (763) 553-0708 fax turck.com	
DESCRIPTION	8 RXF 30-RSF100		
IDENTIFICATION NO.	O0923-79		REV
			B
FILE: U0923-79	SHEET 1 OF 1		

B	DRAWING PROCESSED AS PART OF ECO 33971	CBM	04/07/11	33971
REV	DESCRIPTION	BY	DATE	ECO NO.