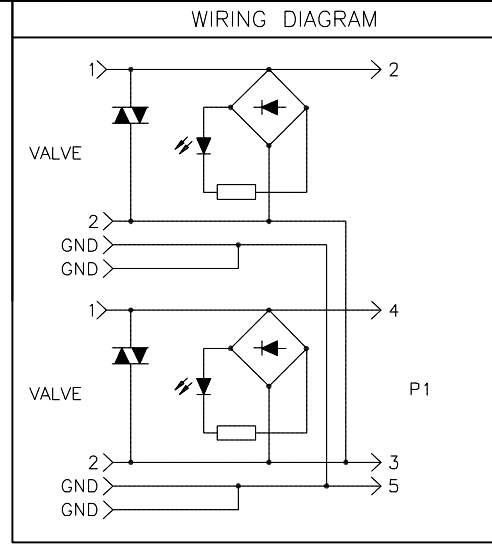
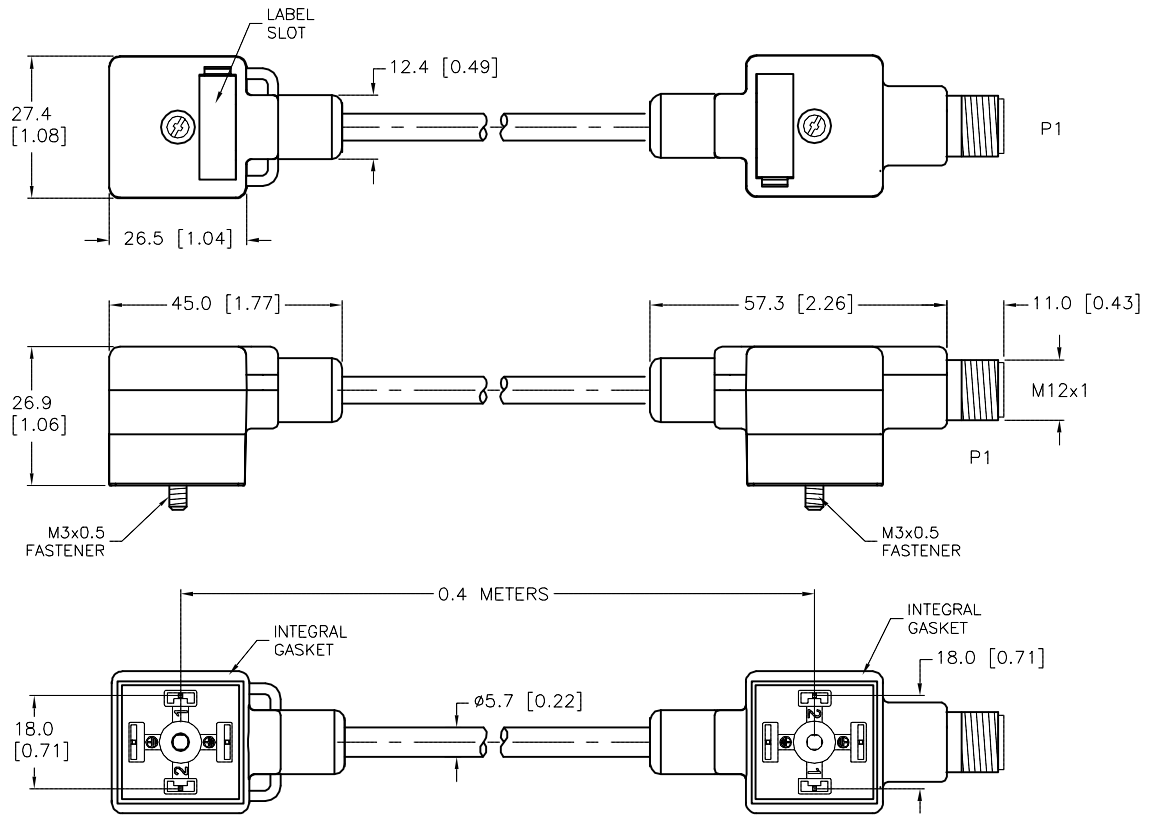


SPECIFICATIONS	
CONTACT CARRIER MATERIAL	NYLON OR TPU
CONTACT MATERIAL/PLATING (VALVE)	BRASS/SILVER
CONTACT MATERIAL/PLATING (P1)	BRASS/GOLD
MOLDED HEAD MATERIAL	TPU/TRANSLUCENT BLK
COUPLING NUT MATERIAL/PLATING	BRASS/NICKEL
RATED CURRENT	4.0 A
RATED VOLTAGE	24-48 VAC/DC
OUTER JACKET MATERIAL/COLOR	TPU/BLACK
NUMBER OF CONDUCTORS	3x18 AWG
CONDUCTOR INSULATION	PVC
TEMPERATURE RATING	-40°C to +90°C (-40°F to +194°F)
PROTECTION CLASS	MEETS NEMA 1,3,4,6P AND IEC IP67



SOURCE DRAWING - FOR REFERENCE ONLY

CABLE LENGTH	TOLERANCE *
ALL LENGTHS	+ 4% (OR 50mm) OF LENGTH - 0% (OR 0mm) OF LENGTH WHICHEVER IS GREATER
STRIP LENGTH	TOLERANCE *
0-7mm	±0.5mm
8-29mm	±1.0mm
30-49mm	±2.0mm
50-69mm	±3.0mm
70-100mm	±4.0mm
OVER 100mm	±5.0mm

* UNLESS OTHERWISE SPECIFIED

RELATED DOCUMENTS	3RD ANGLE PROJECTION
1. 2. 3. 4.	
MATERIAL	ALL DIMENSIONS DISPLAYED ON THIS DRAWING ARE FOR REFERENCE ONLY
SEE SPECIFICATIONS	CONTACT TURCK FOR MORE INFORMATION
FINISH	
SEE SPECIFICATIONS	

THIS DRAWING IS CONFIDENTIAL AND THE PROPERTY OF TURCK INC. USE OF THIS DOCUMENT WITHOUT WRITTEN PERMISSION IS PROHIBITED.	DRFT	RWC	DATE	02/07/05
	APVD		SCALE	1=1.5
	UNIT OF MEASUREMENT		MILLIMETER [INCH]	
	DO NOT SCALE THIS DRAWING			

		3000 CAMPUS DRIVE MINNEAPOLIS, MN 55441 1-800-544-7769 (763) 553-7300 (763) 553-0708 fax www.turck.us	
		DESCRIPTION VAS22-2.048-0.4-V/SA22-2.048-FS5K	
IDENTIFICATION NO. E7250		REV F	
FILE: E7250		SHEET 1 OF 1	

F	UPDATE TO NEW MOLD BODIES	RDS	02/20/14	44956
REV	DESCRIPTION	BY	DATE	ECO NO.