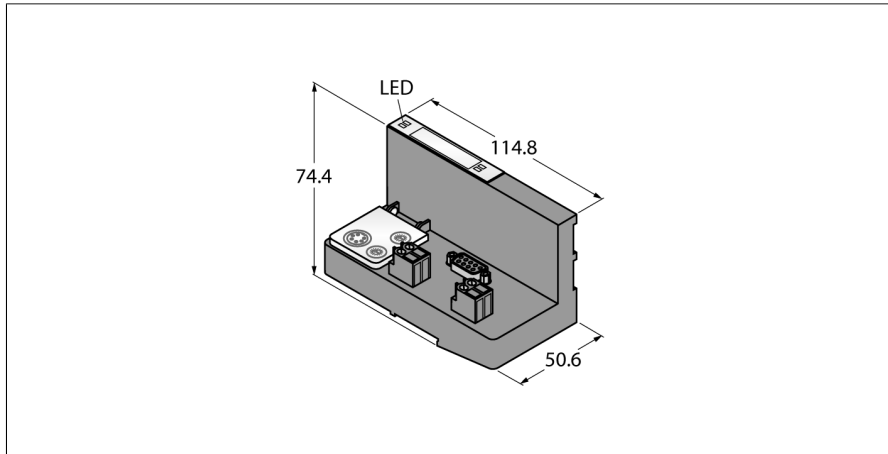


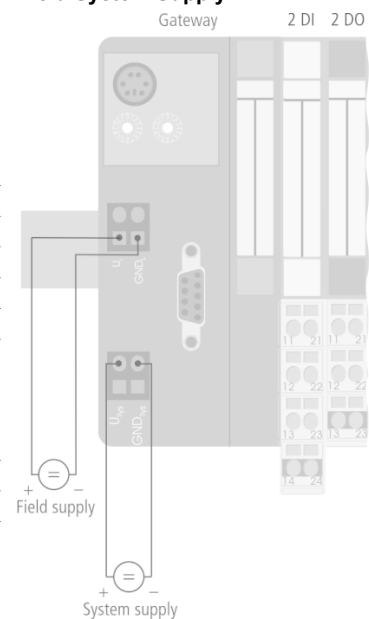
Gateway for the BL20 I/O System Interface for PROFIBUS-DP BL20-GW-DPV1



- Rotary coding switch for adjustment of the node address
- Protection class IP20
- 2 x end brackets BL20-WEW35/2-SW
- 1 x end plate BL20-ABPL
- Integrated power supply
- LEDs for display of supply voltage, group and bus errors
- Gateway between the BL20 system and PROFIBUS-DPV0/DPV1
- 12 Mbps
- 9-pin sub-D female connector

| | |
|---------------------------------|--|
| Type | BL20-GW-DPV1 |
| ID | 6827234 |
| Supply voltage | 24 VDC |
| System power supply | 24 VDC / 5 VDC |
| Field supply | 24 VDC |
| Admissible range | 18...30 VDC |
| Nominal current from module bus | ≤ 430 mA |
| Max. field supply current | 10 A |
| Max. system supply current | 1.2 A |
| Voltage supply connection | Screw terminals |
| Fieldbus transmission rate | 9.6 kbps ... 12 Mbps |
| Fieldbus addressing | 2 rotary switches |
| Fieldbus address range | 1...99 |
| Fieldbus connection technology | 1 x female sub-D connector |
| Fieldbus termination | External |
| Max. number of I/O modules | 64 |
| Service interface | PS/2 socket |
| Number of diagnostics bytes | 3 |
| Number of parameter bytes | 5 |
| Dimensions (W x L x H) | 50.6 x 114.8 x 74.4 mm |
| Approvals | CE, cULus, zone 2, Class I, Div. 2 |
| Ambient temperature | 0...+55 °C |
| Storage temperature | -25...+85 °C |
| Relative humidity | 15...95 %, no condensation allowed |
| Vibration test | Acc. to EN 61131 |
| Shock test | Acc. to IEC 60068-2-27 |
| Drop and topple | acc. to IEC 68-2-31 and free fall to IEC 68-2-32 |
| Electromagnetic compatibility | Acc. to EN 50082-2 |
| Protection class | IP20 |
| MTTF | 284 years acc. to SN 29500 (Ed. 99) 20 °C |
| Included in delivery | 2 x end brackets BL20-WEW-35/2-SW, 1 x end plate BL20-ABPL |

Field/System Supply

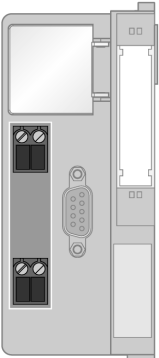
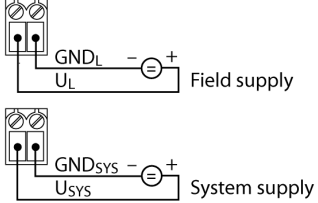
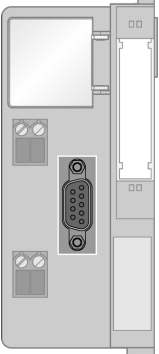
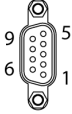


Functional principle

BL20 gateways are the head component of a BL20 station. They are designed to interface the modular fieldbus nodes to the higher level fieldbus (PROFIBUS-DP, DeviceNet, CANopen, Ethernet).

All BL20 electronic modules communicate over the internal module bus, the data of which is transferred to the fieldbus via the gateway, so that all I/O modules can be configured independently of the bus system.

Anschlussübersicht

| | | |
|--|---|--|
|  | <p>Power Supply</p> <p>The U_{sys} system supply feeds power to the gateway and the I/O modules.</p> <p>The U_{L} field supply feeds power to the sensors and actuators.</p> | <p>Pin Assignment</p>  |
|  | <p>PROFIBUS-DP</p> <p>Fieldbus cable (example): D9T451-2M (ident no. 6915759) or RSSW-D9T451-2M (ident no. 6915779)</p> | <p>Pin Assignment</p>  <ul style="list-style-type: none"> 1 = shield 2 = n.c. 3 = RD (Bus B) 4 = n.c. 5 = GND 6 = 5 VDC 7 = n.c. 8 = GN (Bus A) 9 = n.c. |