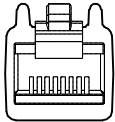

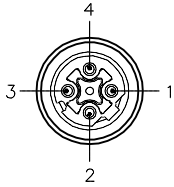
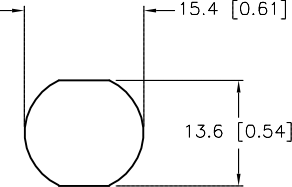
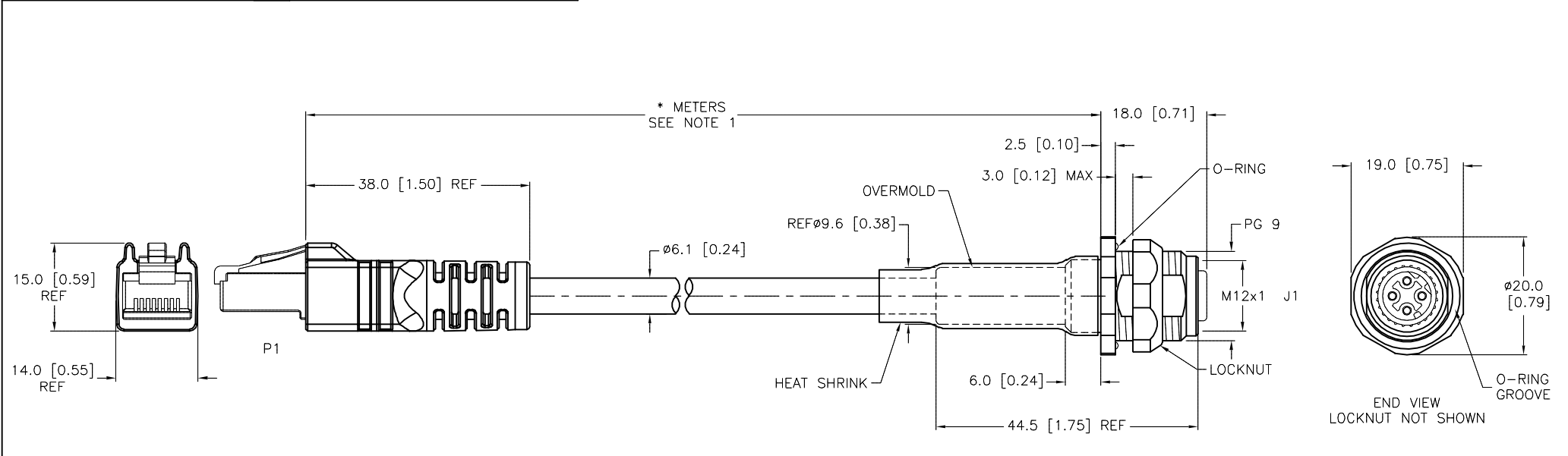


RJ45 END VIEW	FEMALE END VIEW	MOUNTING HOLE	SPECIFICATIONS	
 <p>12345678</p> <p>1 = WHITE/ORANGE (+TX) 2 = ORANGE (-TX) 3 = WHITE/GREEN (+RX) 4 = N/C 5 = N/C 6 = GREEN (-RX) 7 = N/C 8 = N/C</p> <p><i>Ethernet</i>  <i>Ethernet</i></p>	 <p>1 = WHITE/ORANGE (+TX) 2 = WHITE/GREEN (+RX) 3 = ORANGE (-TX) 4 = GREEN (-RX)</p>	 <p>15.4 [0.61] 13.6 [0.54]</p>	CONTACT CARRIER MATERIAL/COLOR (RJ45)	POLYCARBONATE/CLEAR
			MOLDED HEAD MATERIAL/COLOR	TPU/BLACK
			CONTACT MATERIAL/PLATING (RJ45)	BRONZE/GOLD
			CONTACT CARRIER MATERIAL (J1)	TPU
			MOLDED HEAD MATERIAL/COLOR (J1)	TPU/BLUE-GRAY
			CONTACT MATERIAL/PLATING (J1)	BRASS/GOLD
			HOUSING MATERIAL/PLATING (J1)	BRASS/NICKEL
			RATED CURRENT [A]	1.5 A
			RATED VOLTAGE [V]	42 V
			OUTER CABLE JACKET MATERIAL/COLOR	TPE/TEAL
CONDUCTOR INSULATION MATERIAL	HDPE			
NUMBER OF CONDUCTORS [AWG]	4x24 AWG, STRANDED, CAT 5e			
TEMPERATURE RANGE	-40°C to +80°C (-40°F to +176°F)			
PROTECTION CLASS	MEETS NEMA 1,3,4,6P,12 AND IEC IP68 (IP20:RJ45)			

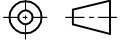


CABLE LENGTH	TOLERANCE*
ALL LENGTHS	+ 4% (OR 50mm) OF LENGTH - 0% (OR 0mm) OF LENGTH WHICHEVER IS GREATER
STRIP LENGTH	TOLERANCE*
0-7mm	±0.5mm
8-29mm	±1.0mm
30-49mm	±2.0mm
50-69mm	±3.0mm
70-100mm	±4.0mm
OVER 100mm	±5.0mm

* UNLESS OTHERWISE SPECIFIED

NOTES:
1. "*" INDICATES CABLE LENGTH IN METERS. CONTACT TURCK TO ORDER SPECIFIC LENGTHS.

SOURCE DRAWING - FOR REFERENCE ONLY

RELATED DOCUMENTS 1. 2. 3. 4.	3RD ANGLE PROJECTION 	THIS DRAWING IS CONFIDENTIAL AND THE PROPERTY OF TURCK INC. USE OF THIS DOCUMENT WITHOUT WRITTEN PERMISSION IS PROHIBITED.		3000 CAMPUS DRIVE MINNEAPOLIS, MN 55441 1-800-544-7769 (763) 553-7300 (763) 553-0708 fax www.turck.us	
		MATERIAL	DRFT RDS DATE 05/17/06	DESCRIPTION RJ45 FKFDD 440-*M	
FINISH	ALL DIMENSIONS DISPLAYED ON THIS DRAWING ARE FOR REFERENCE ONLY CONTACT TURCK FOR MORE INFORMATION	APVD	SCALE 1=1.0	UNIT OF MEASUREMENT MILLIMETER [INCH]	
J UPDATE PROTECTION CLASS	NF 10/01/18 67021	DO NOT SCALE THIS DRAWING		REV J	
REV DESCRIPTION	BY DATE ECO NO.	FILE: 777006695		SHEET 1 OF 1	