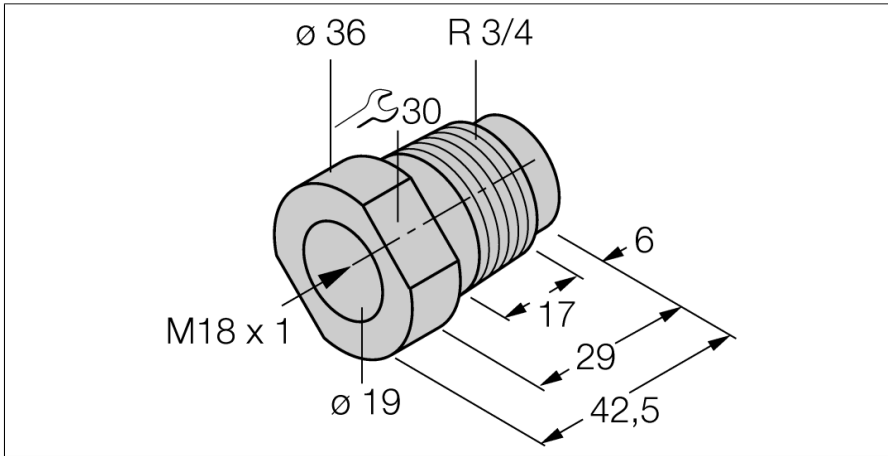


Accessories

Mounting Adapter

MAP-M18



- Mounting adapter M18 × 1
- Plastic: Polypropylene
- Very good chemical resistance
- Sensor can be removed from a filled container (adapter remains in container during replacement)

Type	MAP-M18
ID	6950012
Static pressure	≤ 5 bar
Design	Accessories for threaded barrels, M18
Dimensions	42.5 mm
Housing material	Plastic, PP
Ambient temperature	-20...+100 °C