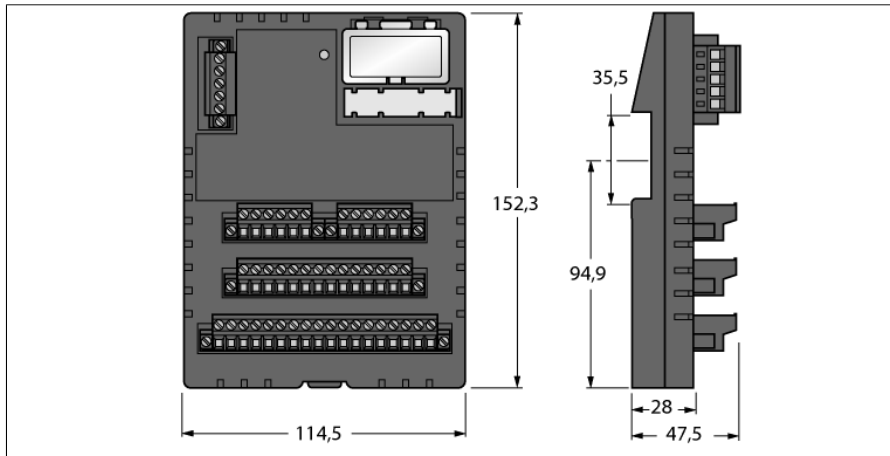
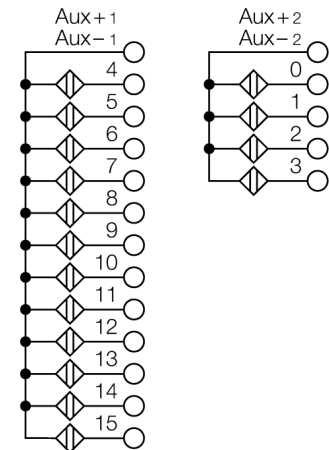
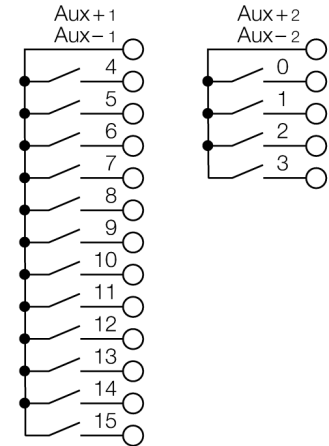


**Compact I/O station for DeviceNet**  
**test us-english**  
**FDN20-16SN-16XSG**



**Wiring Diagram**



<b>Type designation</b>	FDN20-16SN-16XSG
Ident-No.	6611318
<b>Operating voltage range</b>	11...26 VDC
<b>Output current</b>	0.5 A (from DeviceNet™)
Output voltage	18...26 VDC
<b>Protection class</b>	IP20
Ambient temperature	-40...+70 °C