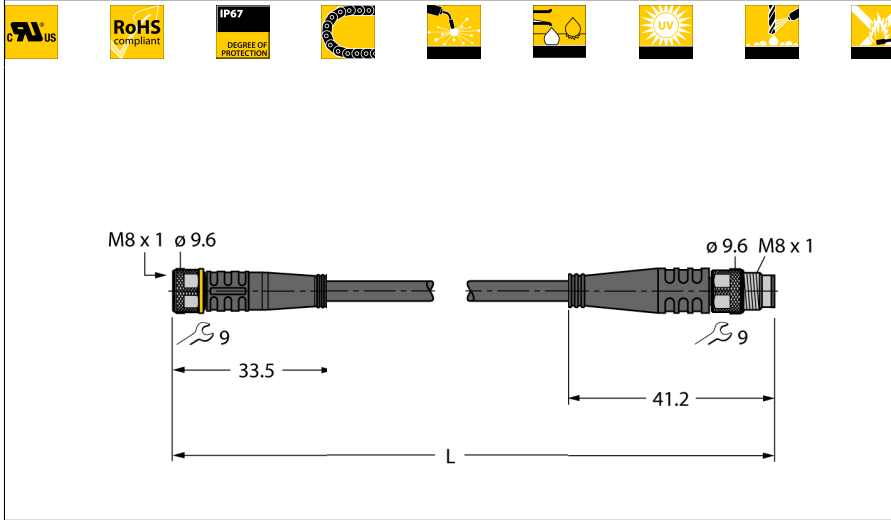


**Actuator, Sensor and Supply Cable, PUR**  
**Extension Cable**  
**PKG4M-20-PSG4M/TXL**

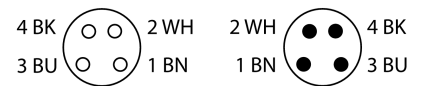
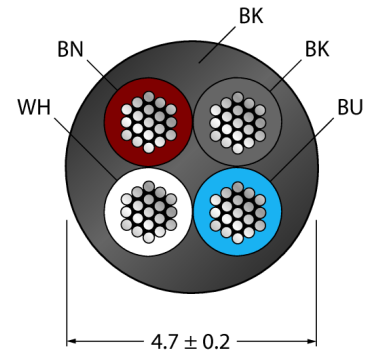


- Female M8, straight, 4-pin
- Male M8, straight, 4-pin
- Sheath material: PUR
- Sheath color: black
- Qualified for drag chain use
- Resistant to weld splatter
- Resistant to chemicals, UV radiation and oils
- Flame retardant
- Free from halogen, silicone, PVC and LABS
- Particularly resistant to abrasion
- Approval: cULus
- RoHS conform
- Protection class IP67
- Cable length: 20 m

**Type designation** PKG4M-20-PSG4M/TXL  
**Ident no.** 6629022

Connector A	Female, M8 × 1, Straight
Number of pins	4
Contacts	Brass, CuZn, Gold-plated
Contact carriers	Plastic, TPU, Black
Connector body	Plastic, TPU, Black
Coupling nut/screw	Brass, CuZn, Nickel-plated
Seal	Plastic, FPM/FKM
Protection class	IP67, Only in screwed condition
Mechanical lifespan	> 100 Mating cycles
Pollution degree	3
Tightening torque (range)	0.5 ... 0.6 Nm (observe max. torque of mating connector!)

**Cable Cross-section**



Connector B	Male, M8 × 1, Straight
Number of pins	4 pins
Contacts	Brass, CuZn, Gold-plated
Contact carriers	Plastic, TPU, Black
Connector body	Plastic, TPU, Black
Coupling nut/retaining screw	Brass, CuZn, Nickel-plated
Protection class	IP67, only in screwed state
Mechanical lifespan	> 100 Mating cycles
Pollution degree	3
Tightening torque	0.5 ... 0.6 Nm (observe max. torque of mating connector!)

General data	
Cable diameter	4.7 ± 0.20mm
Cable length	20 m
Cable quality	PUR
Color cable	Black
Core insulation	PP
Core colors	BN, WH, BU, BK
Core cross-section	4x0.34
Arrangement of strands	42x0.1

**General information**

Drawing shows design status including hexagon coupling nut  
(Production start CW11/2016).

**Circuit Diagram**



Electrical properties at +20 °C	
Current	4 A
Rated voltage	30 V
Insulation resistance	> 30.5 MΩ/km
Test voltage	2000 V
forward resistance	max. 57 Ω/km

## Actuator, Sensor and Supply Cable, PUR Extension Cable PKG4M-20-PSG4M/TXL


---

**Mechanical and chemical properties**

Bending cycles	≥ 5 million
Bending radius (stationary installation)	≥ 5 x Ø
Bending radius (flexible use)	≥ 10 x Ø
Admissible acceleration	max. 5 m/s <sup>2</sup>
Admissible travel path, horizontal	5 m (at 5 m/s <sup>2</sup> )
Admissible travel path, vertical	2 m (at 5 m/s <sup>2</sup> )
Admissible traversing speed	3.3 m/s
Torsional stress	± 180 °/m
Ambient temperature	
Stationary	-50...+80°C
In motion	-25...+80°C
Drag chain operation	-25...+60°C

**Actuator, Sensor and Supply Cable, PUR  
Extension Cable  
PKG4M-20-PSG4M/TXL**

**Accessories**

Type code	Ident no.	Description	
TORQUE-WRENCH-SET-AS	6936170	Torque wrench set; handles with adjustable torque 0.4-1.0 Nm, torque wrench for M8 (SW9), fork wrench for M12 (SW 14)	
BLANK-LABEL-FOR-CORDSETS-TEL-TXL	6936206	Label for TEL and TXL cables, length: 18 mm, height: 4 mm, material: polycarbonate (PC), color: white, halogen-free and flame-retardant	